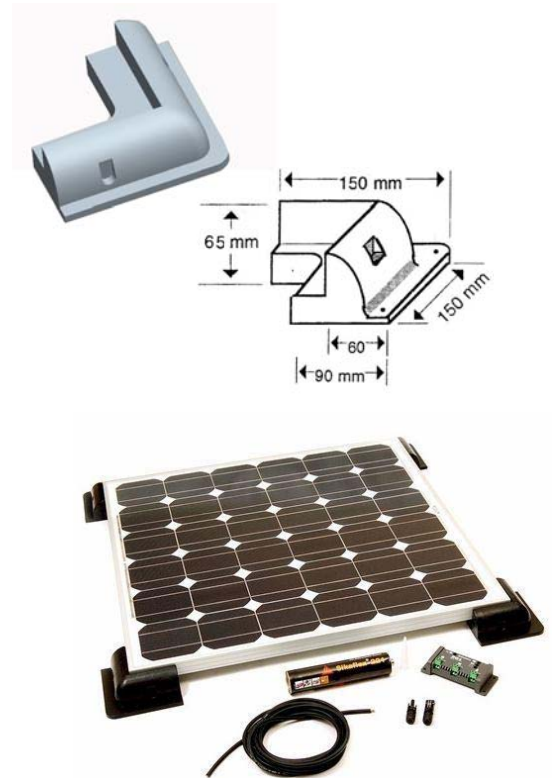


Bright Solar Power

Plastic Mounting Accessories



BS09009: Corner mount 4 Pk



Product Features:

- An ideal way to fix solar panels on the roof or deck of motor homes, caravans and boats
- The mounts can be safely bonded to the surface removing the need to drill holes
- Mounts also act as a wind deflector and maintain the correct air gap between the solar panel and the roof top / deck
- The panel corner moulds protect the corners of the solar panels from damage.
- ABS plastic made, Environment Friendly and UV Resistance
- Just 1.6KG (3.52lb) Per SET, much lighter than metal mount.

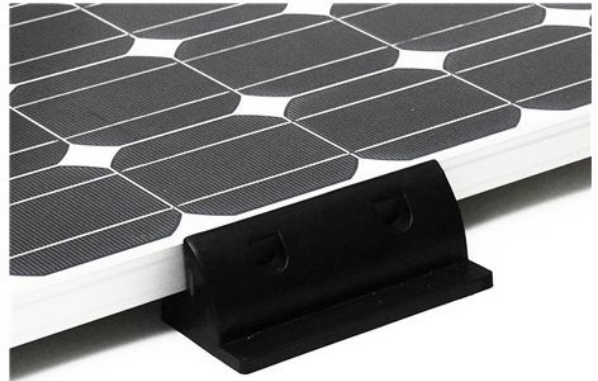
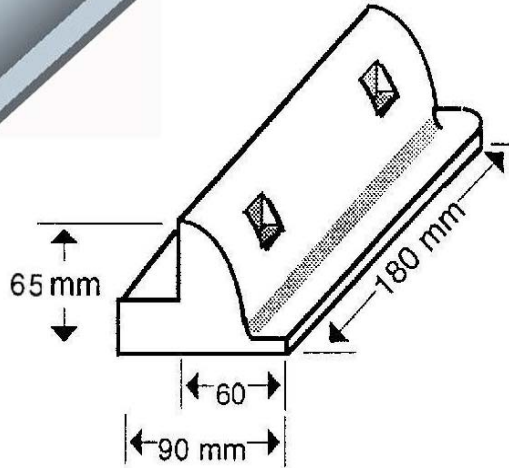
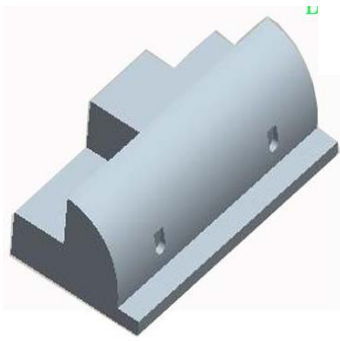
Bright Solar Power corner mounts compatible with 5W, 10W, 20W, 30W, 40W, 50W, 60W, 80W, 120W, 150W panels (4 pack)



NO.1086 LIUHONG ROAD WUJIANG CITY,JIANGSU,CHINA

Copyright ©2010

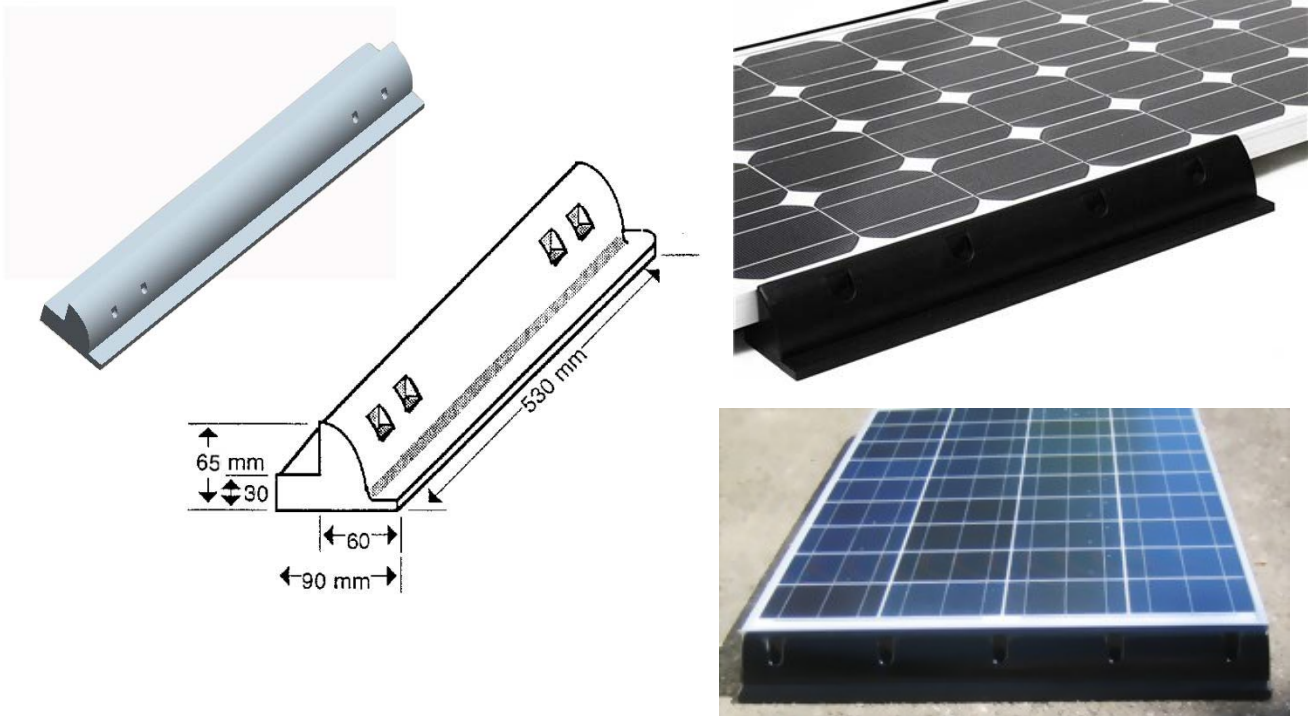
Bright Solar Power Co.Ltd
Web : www.brightsolar-power.com
Email: alston.tse@gmail.com
Tel: (86) 512-60890753

BS090017: 180mm side mount 2PK**Product Features:**

- An ideal way to fix solar panels on the roof or deck of motor homes, caravans and boats
- The mounts can be safely bonded to the surface removing the need to drill holes
- Mounts also act as a wind deflector and maintain the correct air gap between the solar panel and the roof top / deck
- The panel corner moulds protect the corners of the solar panels from damage
- The 180mm panel mounts (Order Code: **BS09017**) can also be used in conjunction with the panel corner moulds (Order Code: **BS09009**) and the 530mm panel mount (Order Code: **BS090018**)
- ABS plastic made, Environment Friendly and UV Resistance
- Just 0.9KG(1.98lb) Per SET, much lighter than metal mount.

Bright Solar Power 180mm panel mount use in conjunction with corner moulds and 530mm panel mount with 40W,50W, 60W,80W, 120W, & 150W,200W,220W.



BS090018: 530mm long side mount 2PK**Product Features:**

- An ideal way to fix solar panels on the roof or deck of motor homes, caravans and boats.
- The mounts can be safely bonded to the surface removing the need to drill holes
- Mounts also act as a wind deflector and maintain the correct air gap between the solar panel and the roof top / deck
- The panel corner moulds protect the corners of the solar panels from damage
- The the 530mm panel mount (Order Code: **BS090018**) can also be used in conjunction with the panel corner moulds (Order Code: **BS09009**) and the 180mm panel mounts (Order Code: **BS09017**).
- ABS plastic made, Environment Friendly and UV Resistance
- Just 2.1KG (4.62lb) Per SET, much lighter than metal mount.

Bright Solar Power 530mm panel mount use in conjunction with corner moulds and 180mm panel mount with 80W, 120W, & 150W, 200W, ,220W.250W.



NO.1086 LIUHONG ROAD WUJIANG CITY,JIANGSU,CHINA

Copyright ©2010

Bright Solar Power Co.Ltd
Web : www.brightsolar-power.com
Email: alston.tse@gmail.com
Tel: (86) 512-60890753

BS090025: Solar cable entry Double hole

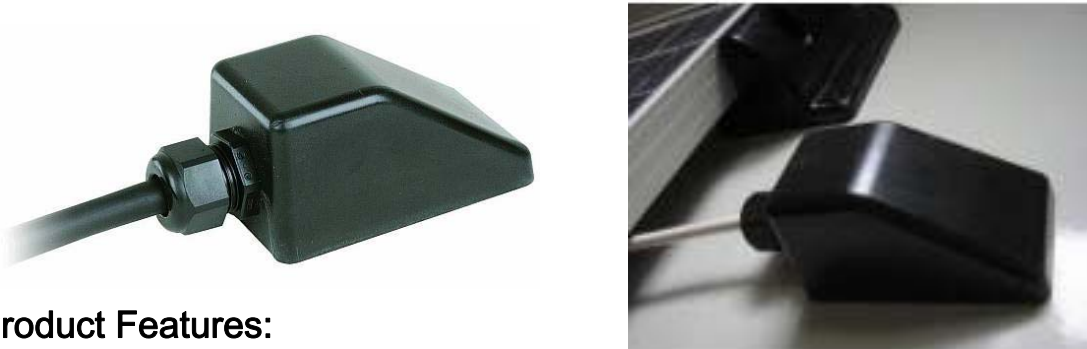


Product Features:

To be used where a neat waterproof seal is required at the point where the cable from your solar panels enter into your building. Especially for RV, Motor home, Camping and Marine solar power system.

- Waterproof IP66
- Able membrane cable seals
- For all cable types 6mm to 12mm in diameter, other diameter also can be order.
- High quality, strong UV stable injection molding
- Roof or wall mounting
- For 1-2 cables available
- No need to open hole on roof, easy to install just with glue.
- Perfect for solar panels, other external devices

BS090026: Solar cable entry Single hole



Product Features:

To be used where a neat waterproof seal is required at the point where the cable from your solar panels enter into your building. Especially for RV, Motor home, Camping and Marine solar power system.

- Waterproof IP66
- For all cable types 6mm to 12mm in diameter, other diameter also can be order.
- High quality, strong UV stable injection molding
- Roof or wall mounting

NO.1086 LIUHONG ROAD WUJIANG CITY,JIANGSU,CHINA

Copyright ©2010

Bright Solar Power Co.Ltd
Web : www.brightsolar-power.com
Email: alston.tse@gmail.com
Tel: (86) 512-60890753